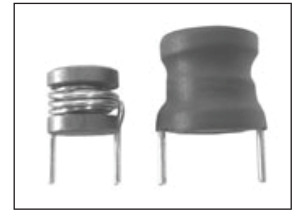


FEATURES

- RADIAL LEADED POWER INDUCTOR
- WIRE WOUND CONSTRUCTION
- WIDE VALUE RANGE 1.0 μ H ~ 330 μ H
- AVAILABLE WITH HIGH TEMPERATURE SLEEVE
- FIVE CASE SIZES (6.5X6.5mm ~ 11X15.5mm)
- BULK PACKAGING ONLY

**RoHS
Compliant**
includes all homogeneous materials

*See Part Number System for Details

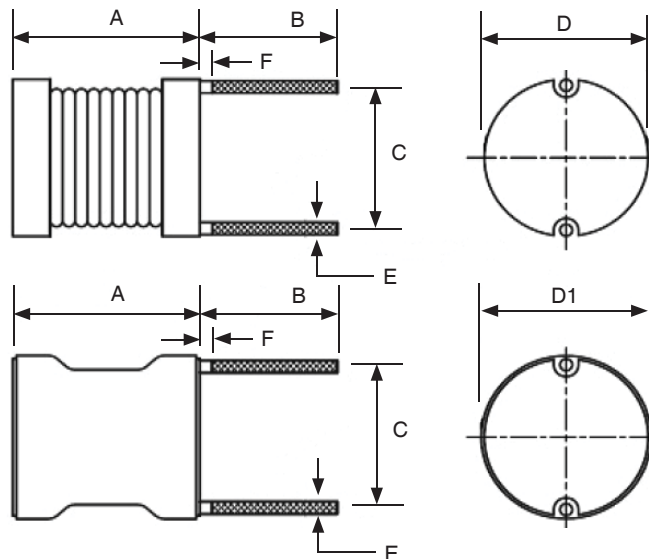


CHARACTERISTICS

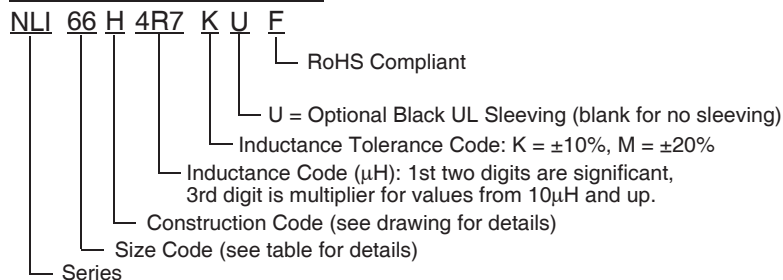
Case Code	NLI66H	NLI77H	NLI87H	NLI101H	NLI121H
Inductance Range (μ H)	1.0 μ H ~ 4.7 μ H	1.0 μ H ~ 22 μ H	2.2 μ H ~ 22 μ H	3.3 μ H ~ 100 μ H	10 μ H ~ 330 μ H
Ambient Operating Temperature Range	-20°C ~ +80°C				
Maximum Component Temperature (Ambient + Self-Heating)	+105°C				
Temperature Rise at Irms	+20°C				
Inductance Change at Isat	-20%				
Inductance Tolerance	K (\pm 10%), M (\pm 20%)				

DIMENSIONS (mm)

Series	A max.	B	C	D max. (Without Sleeve)	D1 max. (With Sleeve)	E	F max.
NLI66H	6.5	5.0 \pm 1.0	5.0 \pm 1.0	6.5	7.0	See Specifications Tables	1.5
NLI77H	7.5	5.0 \pm 1.0	6.0 \pm 1.0	7.5	8.0		1.5
NLI87H	7.5	5.0 \pm 1.0	6.0 \pm 1.0	8.5	9.0		1.5
NLI101H	10.5	10.0 \pm 2.0	8.0 \pm 1.0	11.0	11.5		1.5
NLI121H	15.5	10.0 \pm 2.0	11.0 \pm 1.0	15.0	15.5		1.5



PART NUMBER SYSTEM



NLI66H STANDARD VALUES (H = 6.5mm x D = 6.5mm)									
Part Number	Inductance (μH)	Inductance Tolerance*	Q min.	Q Freq.	SRF (MHz) min.	DCR (Ω) max.	I sat (A)	I rms (A)	Dim. E (ref.)
NLI66H1R0M_F	1	±20%	20	7.96MHz	100	0.008	6	4.3	0.6
NLI66H1R5M_F	1.5	±20%	20	7.96MHz	70	0.009	5	3.7	0.55
NLI66H2R2M_F	2.2	±20%	20	7.96MHz	60	0.013	4	3.2	0.55
NLI66H3R3M_F	3.3	±20%	20	7.96MHz	50	0.018	3.2	2.7	0.5
NLI66H4R7M_F	4.7	±20%	20	7.96MHz	40	0.024	2.7	2.4	0.5

DC I maximum +25°C temperature rise, ΔL -20% max.

* Contact NIC for other tolerance options. _ Add the letter "U" if sleeving is required.

NLI77H STANDARD VALUES (H = 7.5mm x D = 7.5mm)									
Part Number	Inductance (μH)	Inductance Tolerance*	Q min.	Q Freq.	SRF (MHz) min.	DCR (Ω) max.	I sat (A)	I rms (A)	Dim. E (ref.)
NLI77H1R0M_F	1	±20%	10	7.96MHz	70	0.006	6.6	5	0.7
NLI77H1R5M_F	1.5	±20%	10	7.96MHz	56	0.008	5.4	4.3	0.7
NLI77H2R2M_F	2.2	±20%	10	7.96MHz	45	0.011	4	3.7	0.7
NLI77H3R3M_F	3.3	±20%	10	7.96MHz	36	0.018	3.6	2.9	0.55
NLI77H4R7M_F	4.7	±20%	10	7.96MHz	29	0.022	3.1	2.6	0.5
NLI77H6R8M_F	6.8	±20%	10	7.96MHz	24	0.028	2.5	2.3	0.5
NLI77H100K_F	10	±10%	20	2.52MHz	19	0.043	2.1	1.9	0.45
NLI77H150K_F	15	±10%	20	2.52MHz	15	0.056	1.7	1.6	0.45
NLI77H220K_F	22	±10%	20	2.52MHz	12	0.086	1.4	1.3	0.4

DC I maximum +25°C temperature rise, ΔL -20% max.

* Contact NIC for other tolerance options. _ Add the letter "U" if sleeving is required.

NLI87H STANDARD VALUES (H = 7.5mm x D = 8.5mm)									
Part Number	Inductance (μH)	Inductance Tolerance*	Q min.	Q Freq.	SRF (MHz) min.	DCR (Ω) max.	I sat (A)	I rms (A)	Dim. E (ref.)
NLI87H2R2M_F	2.2	±20%	10	7.96MHz	60	0.011	5.5	4	0.7
NLI87H3R3M_F	3.3	±20%	10	7.96MHz	38	0.013	3.8	3.4	0.7
NLI87H4R7M_F	4.7	±20%	10	7.96MHz	30	0.017	3.7	3	0.6
NLI87H6R8M_F	6.8	±20%	10	7.96MHz	24	0.023	2.8	2.6	0.55
NLI87H100K_F	10	±10%	20	2.52MHz	19	0.031	2.5	2.2	0.55
NLI87H150K_F	15	±10%	20	2.52MHz	15	0.042	2	1.9	0.5
NLI87H220K_F	22	±10%	20	2.52MHz	12	0.07	1.6	1.5	0.45

DC I maximum +25°C temperature rise, ΔL -20% max.

* Contact NIC for other tolerance options. _ Add the letter "U" if sleeving is required.

NLI101H STANDARD VALUES (H = 10.5mm x D = 11.0mm)									
Part Number	Inductance (μH)	Inductance Tolerance*	Q min.	Q Freq.	SRF (MHz) min.	DCR (Ω) max.	I sat (A)	I rms (A)	Dim. E (ref.)
NLI101H3R3M_F	3.3	±20%	10	7.96MHz	36	0.01	8.8	5.9	0.8
NLI101H4R7M_F	4.7	±20%	10	7.96MHz	28	0.015	7.2	4.8	0.8
NLI101H6R8M_F	6.8	±20%	10	7.96MHz	18	0.016	6.1	4.6	0.8
NLI101H100M_F	10	±20%	20	2.52MHz	16	0.025	5	3.7	0.8
NLI101H150K_F	15	±10%	20	2.52MHz	12	0.029	4.2	3.4	0.8
NLI101H220K_F	22	±10%	20	2.52MHz	9.5	0.04	3.4	2.9	0.7
NLI101H330K_F	33	±10%	30	2.52MHz	7	0.062	2.8	2.3	0.6
NLI101H470K_F	47	±10%	30	2.52MHz	5.8	0.075	2.3	2.1	0.6
NLI101H680K_F	68	±10%	20	2.52MHz	4.7	0.13	1.9	1.6	0.5
NLI101H101K_F	100	±10%	20	796KHz	3.8	0.16	1.6	1.4	0.5

DC I maximum +25°C temperature rise, ΔL -20% max.

* Contact NIC for other tolerance options. _ Add the letter "U" if sleeving is required.



NLI121H STANDARD VALUES (H = 15.5mm x D = 15.0mm)									
Part Number	Inductance (μH)	Inductance Tolerance*	Q min.	Q Freq.	SRF (MHz) min.	DCR (Ω) max.	I sat (A)	I rms (A)	Dim. E (ref.)
NLI121H100M_F	10	±20%	20	2.52MHz	19	0.023	8	5.1	0.9
NLI121H150K_F	15	±10%	20	2.52MHz	12	0.028	6.5	4.5	0.9
NLI121H220K_F	22	±10%	20	2.52MHz	7.6	0.035	5.5	4.2	0.8
NLI121H330K_F	33	±10%	20	2.52MHz	6.9	0.043	4.5	3.7	0.7
NLI121H470K_F	47	±10%	20	2.52MHz	5.6	0.052	3.6	3.4	0.7
NLI121H680K_F	68	±10%	20	2.52MHz	4.4	0.068	3.1	3	0.7
NLI121H101K_F	100	±10%	20	796KHz	3.3	0.097	2.6	2.5	0.6
NLI121H151K_F	150	±10%	20	796KHz	2.6	0.14	2.1	2.1	0.55
NLI121H221K_F	220	±10%	20	796KHz	2.2	0.2	1.7	1.7	0.5
NLI121H331K_F	330	±10%	20	796KHz	1.8	0.3	1.4	1.4	0.45

DC I maximum +25°C temperature rise, ΔL -20% max.

* Contact NIC for other tolerance options. _ Add the letter "U" if sleeving is required.

PACKAGING QUANTITY

Series	Bulk (per bag)
NLI66H	100
NLI77H	100
NLI87H	100
NLI101H	100
NLI121H	80

