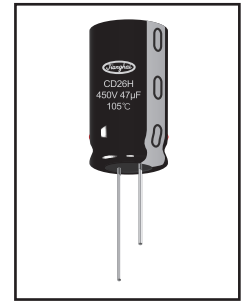


3000 ~ 5000h at 105°C

- Slim Type
- High ripple current

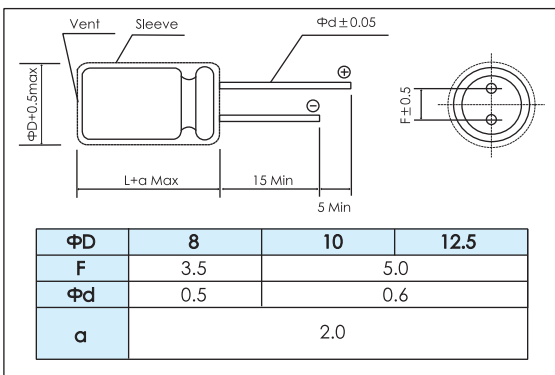


Items	Characteristics				
Operating Temperature Range (°C)	-25 ~ +105				
Voltage Range (V)	200 ~ 500				
Capacitance Range (μF)	33 ~ 220				
Capacitance Tolerance (20°C, 120Hz)	± 20%				
Leakage Current (μA)	After 1 minute at 20°C application of rated voltage, leakage current is not more than 0.02CV. C: Nominal Capacitance (μF) V: Rated Voltage (V)				
Dissipation Factor (20°C, 120Hz)	Rated Voltage (V)	200	250 ~ 420	450	500
	Tan δ (max)	0.12	0.15	0.12	0.20
Stability at Low Temperature (Impedance Ratio at 120Hz)	Rated Voltage (V)	200 ~ 250		400 ~ 500	
	$Z_{-25°C} / Z_{+20°C}$	3		8	

	Useful Life		Load Life	Endurance Test	Shelf Life
Lifetime	$\Phi \leq 10$ : 6000h $\Phi > 10$ : 10000h	$\geq 250000$ h	$\Phi \leq 10$ : 3000h $\Phi > 10$ : 5000h	$\Phi \leq 10$ : 4000h $\Phi > 10$ : 5000h	1000h
Leakage Current	Not more than specified value		Not more than specified value	Not more than specified value	Not more than specified value
Capacitance Change	Within ± 30% of initial value		Within ± 20% of initial value	Within ± 20% of initial value	Within ± 20% of initial value
Dissipation Factor	Not more than 300% of specified value		Not more than 200% of specified value	Not more than 300% of specified value	Not more than 200% of specified value
Condition: Applied Voltage Applied Current Applied Temperature	$U_R$ $I_R$ 105°C	$U_R$ $1.2 \times I_R$ 40°C	$U_R$ $I_R$ 105°C	$U_R$ $I_R = 0$ 105°C	$U_R = 0$ $I_R = 0$ 105°C After test: $U_R$ to be applied for 30min >24h before measurement

## Dimensions

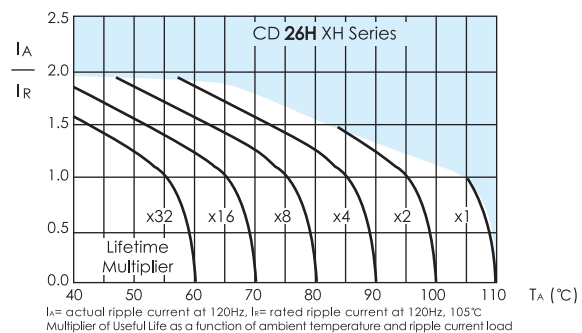
mm



## Frequency Coefficient

Frequency(Hz)		50/60	120	500	1K	≥ 10K
Coefficient	200 ~ 250V	0.8	1.0	1.20	1.30	1.40
	400 ~ 500V	0.8	1.0	1.25	1.40	1.50

## Lifetime Diagram



## Temperature Coefficient

Temperature(°C)	+70	+85	+105
Coefficient	1.8	1.4	1.0

## Ratings for CD 26H XH Series

U <sub>s</sub> (Surge Voltage) Code	Rated Capacitance	Max ESR 20°C, 120Hz	Typ ESR 20°C, 120Hz	Rated Ripple Current 105°C, 120Hz	Size ΦD x L	P/N
(V)	(μF)	(Ω)	(Ω)	(mA <sub>rms</sub> )	(mm)	-
200 (250) 2D	82	1.9	1.0	420	10 × 36	ECR2DXH820M□□100036
	100	1.6	0.9	480	10 × 40	ECR2DXH101M□□100040
	120	1.3	0.7	540	10 × 45	ECR2DXH121M□□100045
	150	1.1	0.6	650	12.5 × 36	ECR2DXH151M□□125036
	180	0.9	0.5	730	12.5 × 42	ECR2DXH181M□□125042
	220	0.7	0.4	840	12.5 × 45	ECR2DXH221M□□125045
250 (300) 2E	47	4.2	2.3	310	8 × 50	ECR2EXH470M□□080050
	68	2.9	1.6	340	10 × 36	ECR2EXH680M□□100036
	82	2.4	1.3	440	10 × 43	ECR2EXH820M□□100043
	100	2	1.1	500	10 × 50	ECR2EXH101M□□100050
	120	1.7	0.9	580	12.5 × 40	ECR2EXH121M□□125040
	150	1.3	0.7	680	12.5 × 45	ECR2EXH151M□□125045
	180	1.1	0.6	760	12.5 × 50	ECR2EXH181M□□125050
	220	0.9	0.5	880	12.5 × 61	ECR2EXH221M□□125061
400 (450) 2G	33	6.0	3.3	290	10 × 40	ECR2GXH330M□□100040
	47	4.2	2.3	390	10 × 50	ECR2GXH470M□□100050
	47	4.2	2.3	390	12.5 × 35	ECR2GXH470M□□125035
	56	3.6	2	440	12.5 × 40	ECR2GXH560M□□125040
	68	2.9	1.6	500	12.5 × 45	ECR2GXH680M□□125045
	82	2.4	1.3	540	12.5 × 61	ECR2GXH820M□□125061
	100	2	1.1	610	12.5 × 61	ECR2GXH101M□□125061
	39	4.1	2.2	320	10 × 45	ECR2XXH390M□□100045
420 (470) 2X	47	3.4	1.9	370	10 × 50	ECR2XXH470M□□100050
	56	2.8	1.6	450	12.5 × 40	ECR2XXH560M□□125040
	68	2.3	1.3	520	12.5 × 45	ECR2XXH680M□□125045
	82	1.9	1.1	580	12.5 × 61	ECR2XXH820M□□125061
	33	4.8	2.7	290	10 × 45	ECR2WXH330M□□100045
450 (500) 2W	39	4.1	2.2	330	10 × 50	ECR2WXH390M□□100050
	39	4.1	2.2	330	12.5 × 36	ECR2WXH390M□□125036
	47	3.4	1.9	400	12.5 × 40	ECR2WXH470M□□125040
	53	3.0	1.7	430	12.5 × 45	ECR2WXH530M□□125045
	56	2.8	1.7	460	12.5 × 50	ECR2WXH560M□□125050
	68	2.3	1.3	540	12.5 × 50	ECR2WXH680M□□125050
	82	1.9	1	600	12.5 × 61	ECR2WXH820M□□125061
	47	3.4	1.9	410	12.5 × 50	ECR2HXH470M□□125050
500 (550) 2H	53	3.0	1.7	440	12.5 × 61	ECR2HXH530M□□125061
	56	2.8	1.6	470	12.5 × 61	ECR2HXH560M□□125061

Customer products are available on request.

MINIATURE