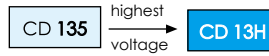


CD 13H BH SERIES



2000h at 85°C

- Features
 - 600V to 650V standard at 85°C
 - RoHS Compliant
- Applications
 - High Professional Inverters and Power Supplies



Specifications

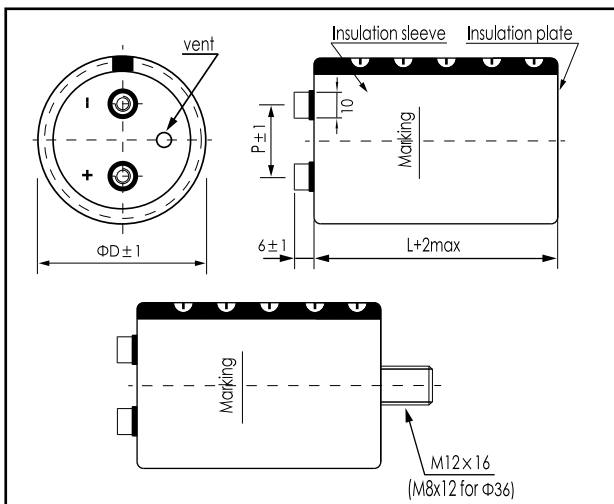
Items	Characteristics
Operating Temperature Range	-25 ~ +85°C
Rated Voltage U_R	600 ~ 650V _{dc}
Capacitance Range	1000 ~ 5000μF
Capacitance Tolerance	± 20% (M) (at 20°C, 120Hz)
Leakage Current I_L	$IL=0.01 C_R U_R$ (μA) or 5mA, whichever is smaller. (C_R : Nominal Capacitance, in μF) (at 20°C, 5minutes)
Dissipation Factor $\tan \delta$	0.25 max (at 20°C, 120Hz)

	Useful Life		Load Life	Endurance Life	Shelf Life
Lifetime	>4000h	>65000h	2000h	2000h	500h
Leakage Current I_L	Not more than specified value		Not more than specified value	Not more than specified value	Not more than specified value
Capacitance Change ΔC	Within ± 30% of initial value		Within ± 20% of initial value	Within ± 10% of initial value	Within ± 20% of initial value
Dissipation Factor $\tan \delta$	Not more than 300% of specified value		Not more than 200% of specified value	Not more than 130% of specified value	Not more than 200% of specified value
Condition:	U_R I_R 85°C	U_R $1.2 \times I_R$ 40°C	U_R I_R 85°C	U_R 85°C	85°C

*Shelf Life test: U_R to be applied for 60min, >24h before measurement

Dimensions

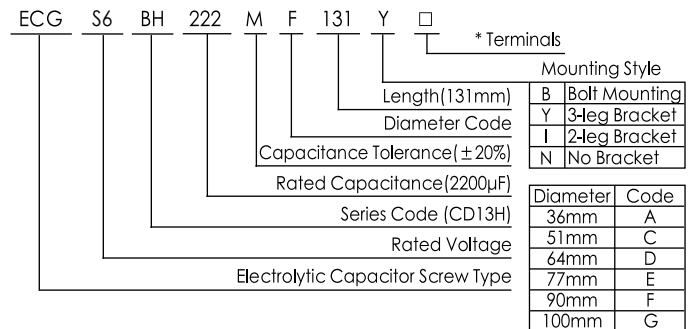
mm



ΦD/mm	51	64	77	90	101
P/mm	22.0	28.2	31.4	31.4	41.5

*Hex head screw M5 x 10 and M6 x 12 are standard screws. Longer screws are available on request.
 *Max tightening torque for screw terminal M5: 3Nm, M6: 4Nm.
 Max torque for bolt mounting M12: 12.5Nm.
 *Screws, Bracket and cap nut will be delivered separately. See "Accessories" for shape and dimensions.

Part Number System (Ex: 650v2200μF)



Ripple Current Coefficient

Frequency (Hz)	50/60	120	300	1k	>10k
Coefficient	0.80	1.00	1.10	1.30	1.40

Ambient Temp (°C)	40	60	85
Coefficient	1.89	1.67	1.00

The useful life can be prolonged by operating capacitor at loads below the rated values (e.g. lower operating voltage, Rms ripple current or ambient temperature) and by appropriate cooling measures.
 It is advisable not to apply a ripple current exceeding the rated ripple current without any cooling measures as this will shorten capacitor's life.

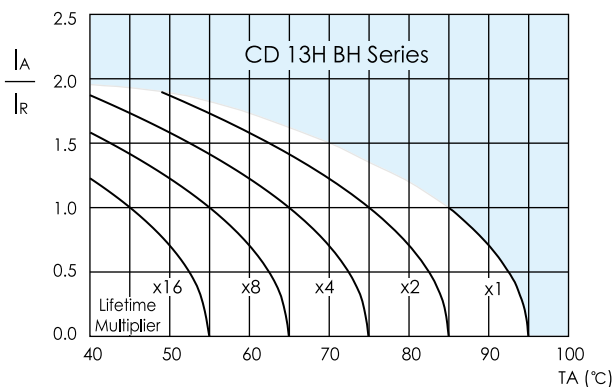
Ratings for CD 13H Series (code BH)

U_r (Surge Voltage) Code	Rated Capacitance	Max.ESR 20°C, 120Hz	Typ ESR 20°C, 120Hz	Rated Ripple Current 85°C,120Hz	Size $\Phi D \times L$	P/N
(V)	(μF)	(m Ω)	(m Ω)	(Arms)	(mm)	-
600 (650) 2S	1200	242	121	7.7	64×96	ECG2SBH122MD096□□
	1500	224	112	9.3	64×115	ECG2SBH152MD115□□
	1800	194	97	10.1	77×96	ECG2SBH182ME096□□
	2200	162	81	12.0	77×115	ECG2SBH222ME115□□
	2700	132	66	14.0	77×130	ECG2SBH272ME130□□
	3300	88	44	16.4	77×155	ECG2SBH332ME155□□
	3300	88	44	16.4	90×131	ECG2SBH332MF131□□
	3900	74	37	17.8	90×131	ECG2SBH392MF131□□
	4700	62	31	21.0	90×157	ECG2SBH472MF157□□
	5600	56	28	24.5	90×196	ECG2SBH562MF196□□
650 (700) 5S	1000	300	150	6.0	64×130	ECGJ2BH122ME130□□
	1200	266	133	6.7	77×115	ECGJ2BH122ME115□□
	1500	212	106	8.1	77×130	ECGJ2BH152ME130□□
	1800	176	88	9.8	77×155	ECGJ2BH182ME155□□
	2200	144	72	10.7	90×131	ECGJ2BH222MF131□□
	2700	128	64	12.8	90×157	ECGJ2BH272MF157□□
	3300	106	53	14.7	90×171	ECGJ2BH332MF171□□
	3900	94	47	17.9	90×196	ECGJ2BH392MF196□□
	4700	78	39	21.6	90×196	ECGJ2BH472MF196□□
	5600	70	35	24.9	101×220	ECGJ2BH562MG220□□

Mounting code("B" for bolt mounting, "Y/I/N" for bracket mounting)
Terminal options(A,B,C see "Dimensions" for details.)

Customer products are available on request.

Lifetime Diagram



I_A = actual ripple current at 120Hz, I_R = rated ripple current at 120Hz, 85°C
Multiplier of Useful Life as a function of ambient temperature and ripple current load

SCREW